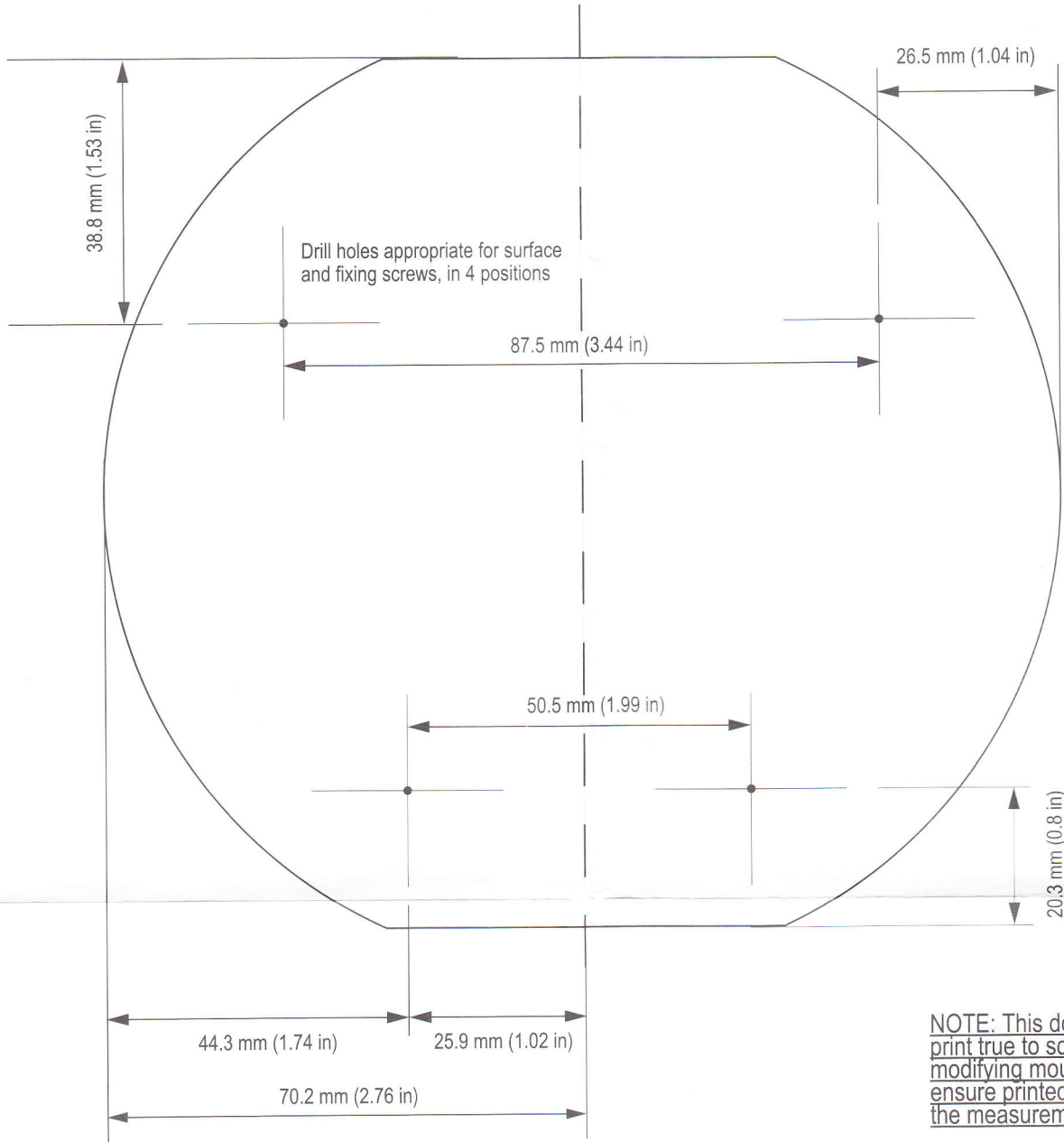
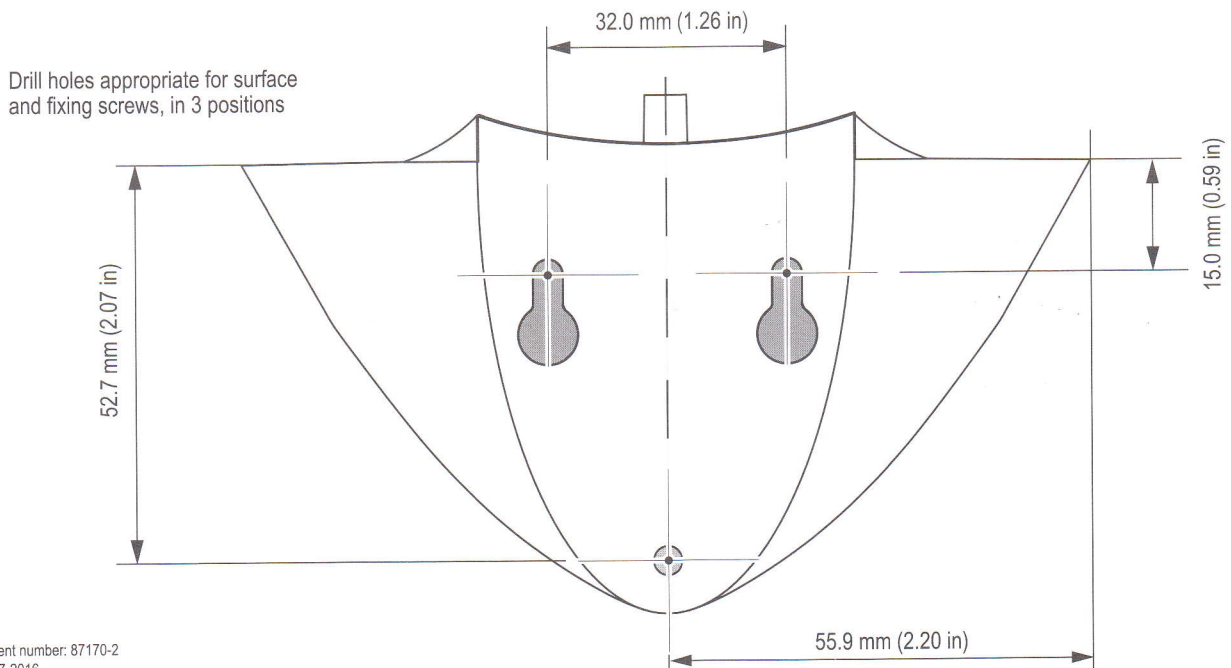


Mounting tray template - surface mounting

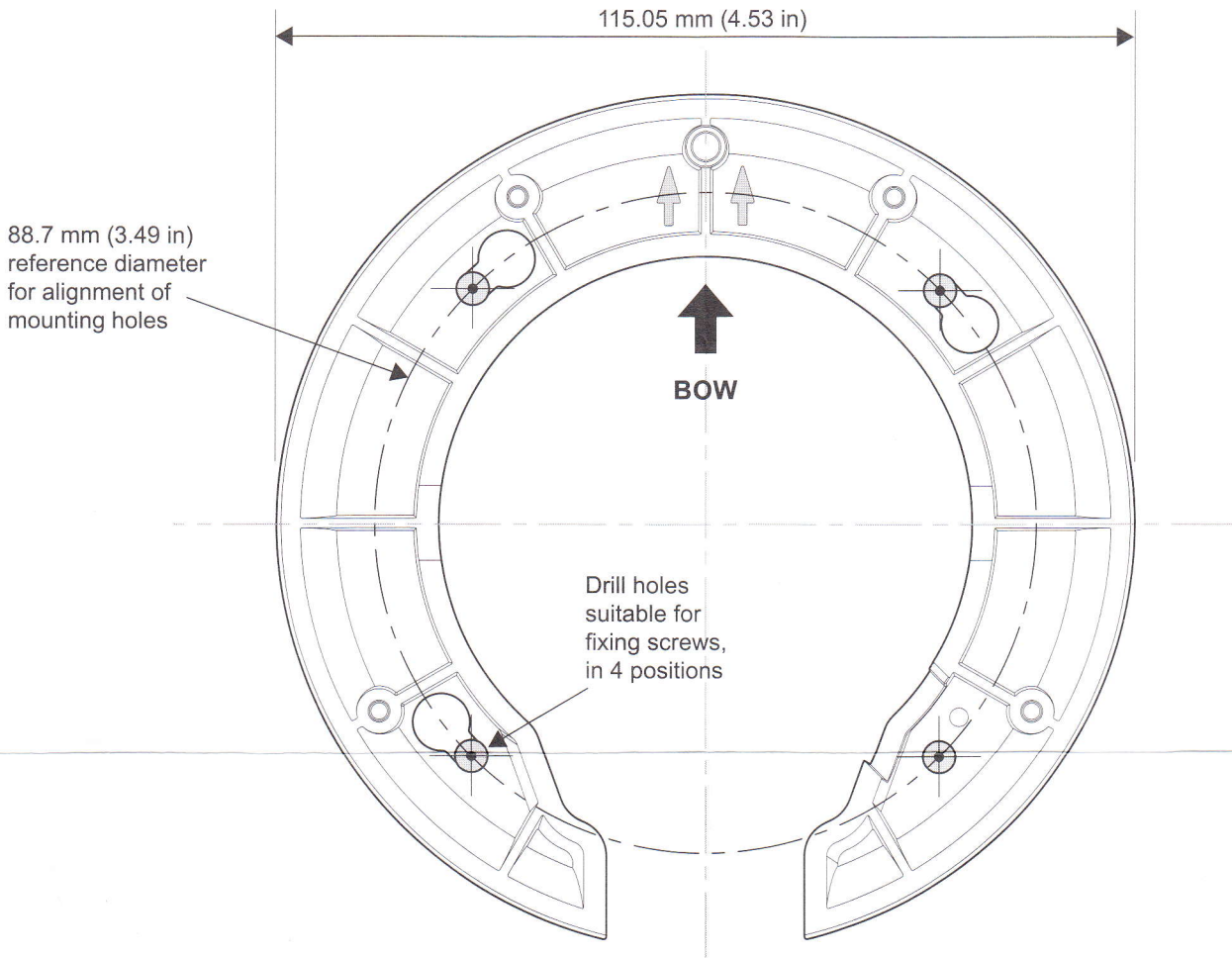


NOTE: This document may not print true to scale. Before modifying mounting surface, ensure printed template matches the measurements provided.

Bracket mounting template - wall mounting



Deck Mount Riser Mounting Template



NOTE: This document may NOT print true to scale. Before modifying mounting surface, ensure printed template matches the measurements provided.

Document number: 87280-1

Document date: 07-2016

Drawing number: D13583-1